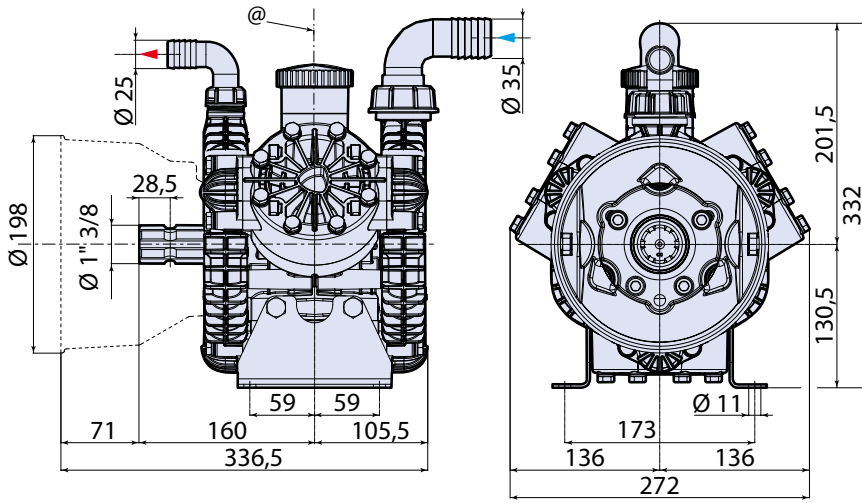


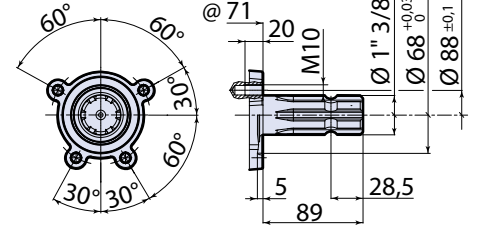


# AR 45 LFP

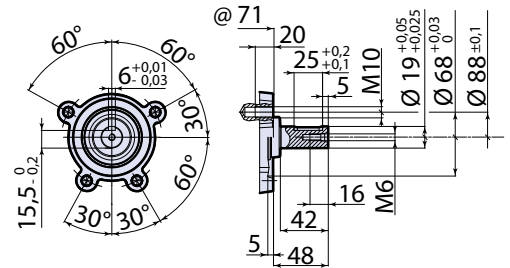


@ = Pump axis - 泵中心线

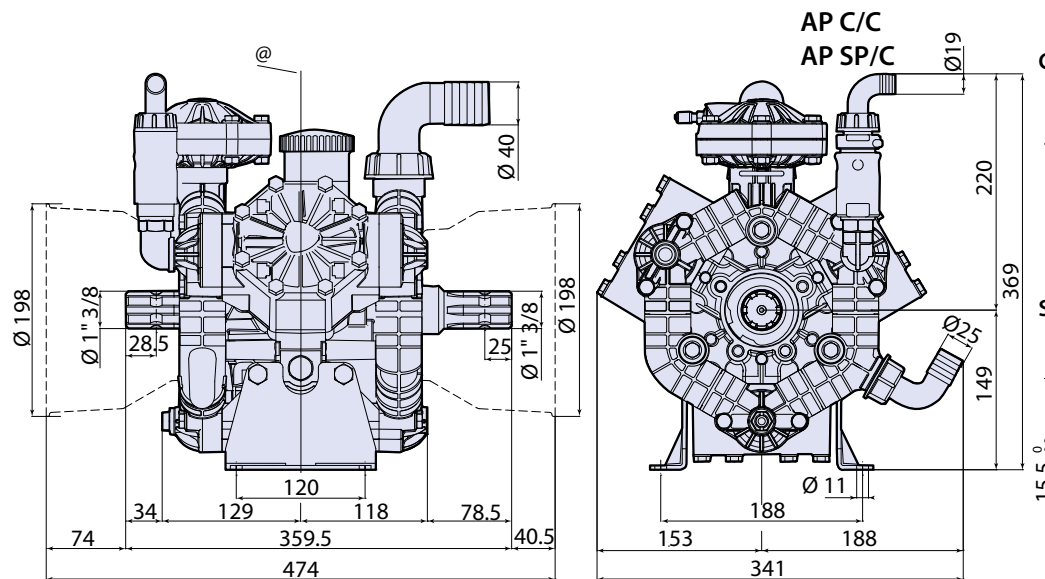
C



SP

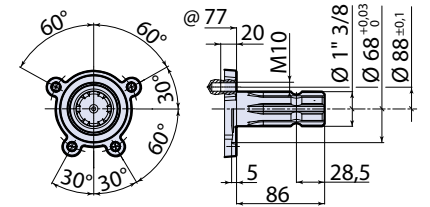


# AR 80 LFP



@ = Pump axis - 泵中心线

C



SP

